

Ad Panel

3-piece part for disguising tracking devices discreetly



Custom Advertising panel design in two sizes to enable STG tracking devices to be installed discreetly on any cart type while reducing the risk for tampering.



Shopping Cart Tracking - Indoor/Outdoor

When used with STG tracking devices, you gain the ability to track your carts anywhere they go in the world and within your stores. **Innovative Ad Panel design disguises the [DTx series](#) and [Mobile Gateway](#) tracking devices.**

Technical Specifications



Universal design allows you to place disguised tracking devices on any cart type.



Create additional revenue streams with advertising panels.

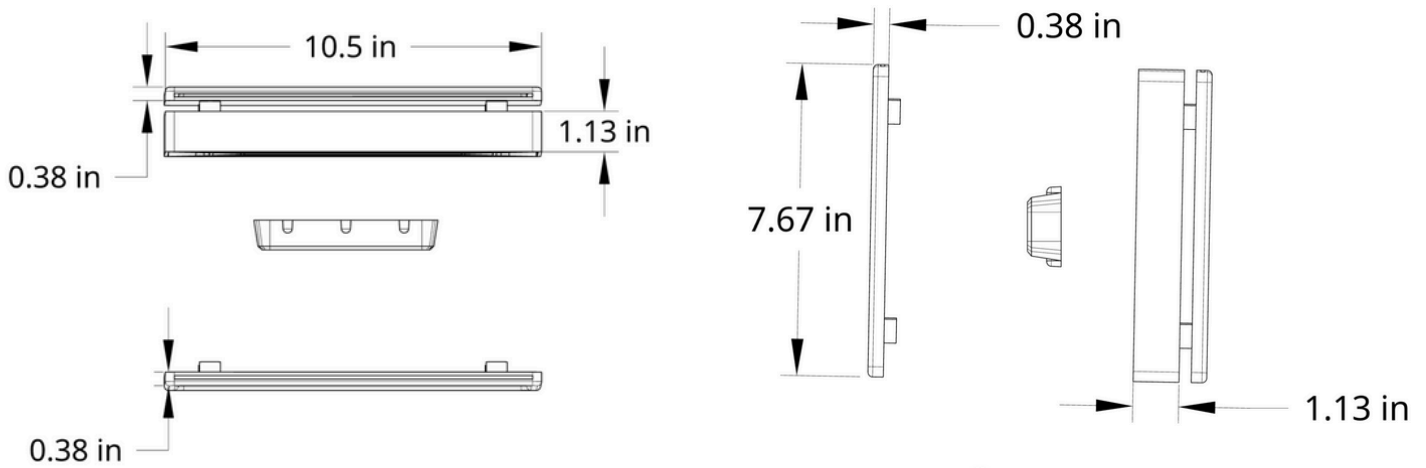
No interference with nesting and no exposure to frequent customer touches and tampering.



Provide advertisers utilization and route history data when used with STG Mobile Gateways.



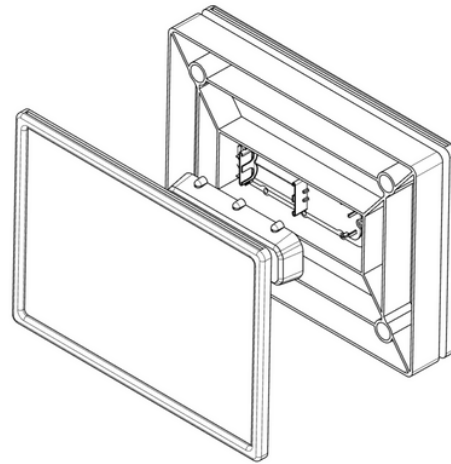
Large Ad Panel Version



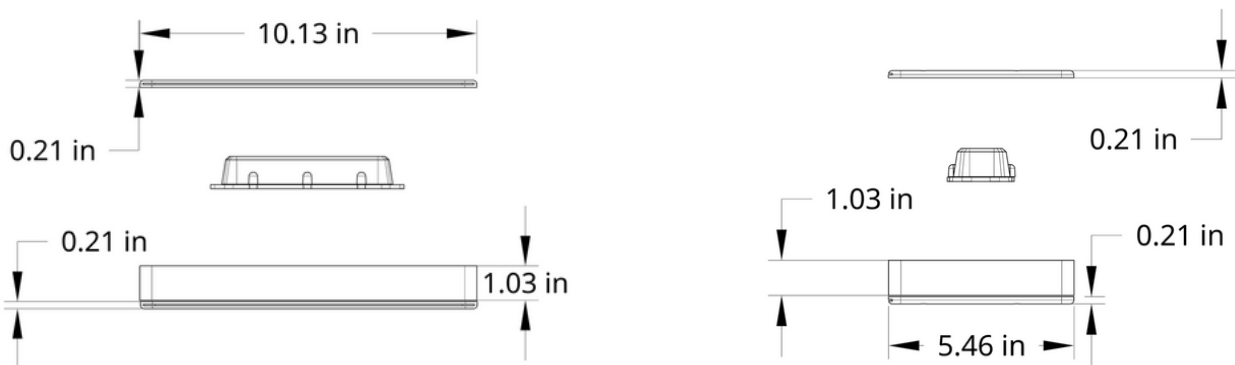
Assembly Components:

- (1) Large Ad Panel Frame 10.5" W x 7.67" H x 1.13" D
- (2) Large Ad Panel Covers 10.5" W x 7.67" H x 0.38" D
- (4) #6 1.25 inch sheet metal screws

Note: Typically only suitable for Large, single tier, full size carts.



Small Ad Panel Version



Assembly Components:

- (1) Small Ad Panel Frame 10.13" W x 5.46" H x 1.03" D
- (2) Large Ad Panel Covers 10.13" W x 5.46" H x 0.21" D
- (4) #6 1.25 inch sheet metal screws

Note: Suitable for most cart types including two-tier and large, full size carts

